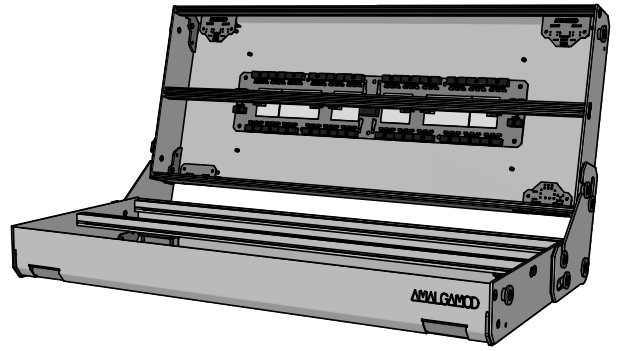


AMALGAMOD

12U/126HP Travel Case User Guide V1.3

Features - Lightweight, Portable Travel Case
Quick Setup, Open/Close With Patch Intact
Quick Conversion to 2 x 6U/126HP Cases
Desktop Mounting System Compatible
Low Noise Active Power Bus, Universal PSU
Optional I/O, LED Lamps, Shoulder Bag



Case Specs

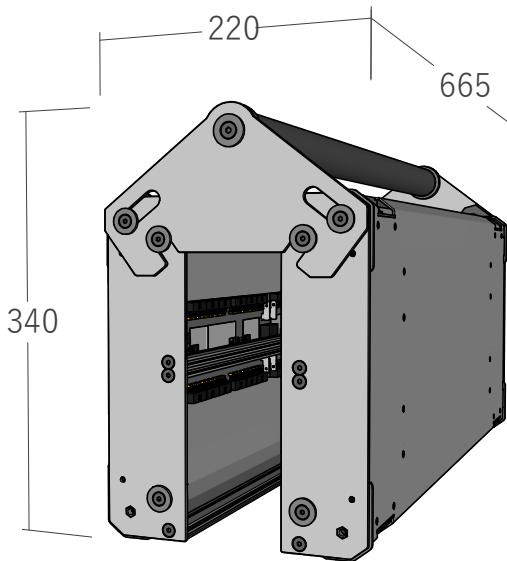
Case - Lightweight Aluminium Construction
Hard Anodised Sub-Frame
Durable Textured Powdercoated Shell
M3 Tapped Strips, 6 x Blank I/O Card Slots
Comfortable High Density EVA Handle Grip

Shoulder Bag - Heavy Duty Ripstop Canvas
High Density Foam Padding, Velveteen Lining
Milspec Quick Release Buckles

Optional - Desktop Mounting Hardware
USB LED Lamps, S.Bus Breakout Trunkline
8ch DB25 Output, MIDI IO etc. TBA!

Dimensions - 665 x 340 x 220mm
Module Clearance: 60mm Internal Depth
45mm Over Busboard, 42mm Over I/O Modules

Weight - Case: 5.2kg (inc. Busboards)
Shoulder Bag: 1kg



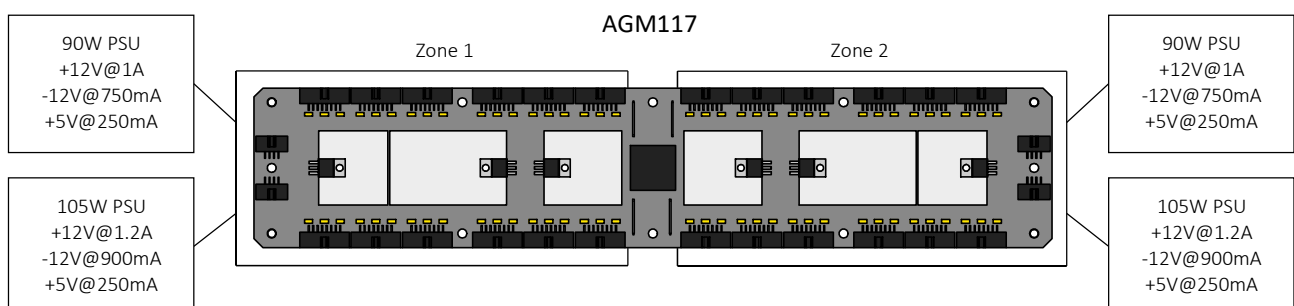
Power Specs

The AGM117 Active Bus features 24 power headers split into 2 x 12 header zones. It is effectively two active busboards in one with the advantage of relative isolation between zones. Each boat contains one AGM117.

90W PSU total system maximum current rating: +12V@4A / -12V@3A / +5V@1A
90W PSU nominal rating per busboard zone: +12V@1A / -12V@750mA / +5V@250mA

105W PSU total system maximum current rating: +12V@4.8A / -12V@3.6A / +5V@1A
105W PSU nominal rating per busboard zone: +12V@1.2A / -12V@900mA / +5V@250mA

These figures assume normal operating conditions and should be derated in high ambient temperatures.
If in doubt, email us for advice.



Power Connection

Only use the supplied Class I desktop power adaptor with an earthed mains outlet. If you are in a region without a mains earth connection please contact us for a suitable Class II power adaptor.

Connect the power brick to each boat via the supplied DC Y-cable. Each AGM117 features a set of LED indicators for the power rails in each zone (+12V/-12V/+5V). If all 6 LED's do not light up, immediately power off as this indicates a fault condition (most likely a short from plugging a module in backwards).

In the event of a fault, remove all modules and test the power rails using a digital multimeter.

When installing your modules, it is good practice to power down, install one module, then power up while keeping an eye on the LED indicators (rinse and repeat). That way if there is problem you will have isolated it to the most recent module plugged in. Leave the LED indicators visible up until the last modules are connected. Make sure your ribbon IDC cables are not in contact with the PCB heatsinks on the busboard. Where possible, avoid using excessively long IDC cables and arrange your cabling to allow for maximum airflow.

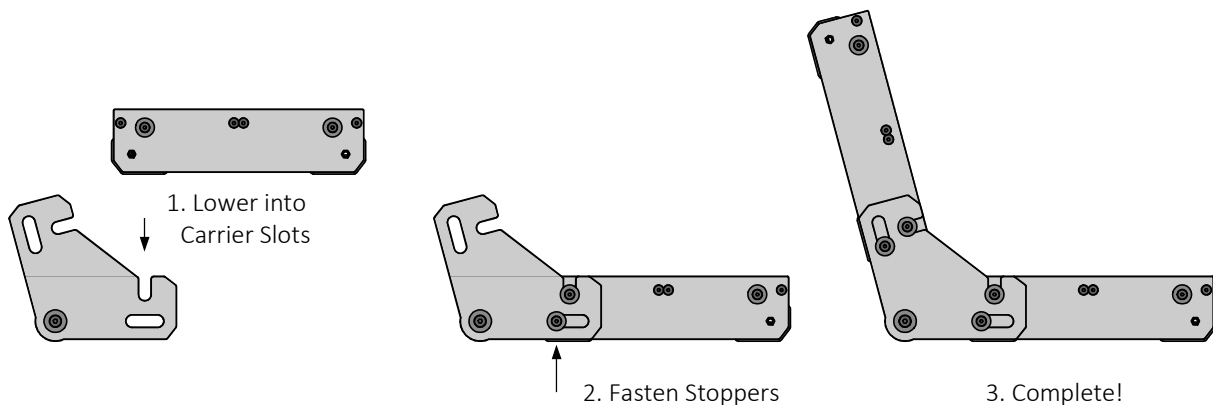
The AGM117 uses keyed headers so be sure your IDC power cables are assembled correctly (arrow to red stripe) to avoid backwards connection and potential damage to your modules as unfortunately most modules do not have reverse polarity protection. When you have confirmed your cables are good, it is recommended to plug/unplug at the busboard. This way you can use the keyed headers to your benefit. If in doubt, ensure -12V on the module is connected to -12V on the busboard as per the markings on the PCB.

Each busboard can be positioned between rows or under either row to allow room for deeper modules. Use the supplied hex wrench and unscrew the mounting screws, lift the busboard, relocate tube spacers and the rubber bumper on each side of the busboard to their new positions. Align the busboard mounting holes with the standoffs and install screws firmly while being careful no to overtighten.

Folding Carrier Assembly

1. Align and lower hinge thumbscrew onto the open carrier slot.
2. Align stopper thumbscrew with threaded nut, insert screw and finger tighten.
3. Tighten up each screw just tight enough so the washer does not rotate when folding the case.

Be careful not to overtighten or cross-thread the fasteners as this may cause damage to the threaded inserts.



Care Instructions

Use only in a dry environment. Avoid touching the metalwork with dirty or oily fingers. Particularly be careful not to use orange/citrus handwash, sunscreen, solvents as the acid content can react with and damage the powder coated surface. Clean with a dry, soft microfibre cloth. To remove dirt/grime use a damp microfibre cloth with mild/PH neutral detergent. Do not use abrasive cleaning products. Do not apply excessive force when closing the case. Use protective shoulder bag while in transit. Transport with handle upward where possible and if not, avoid heavy objects being placed on the case while closed.

If in doubt, contact info@amalgamod.com for assistance.